

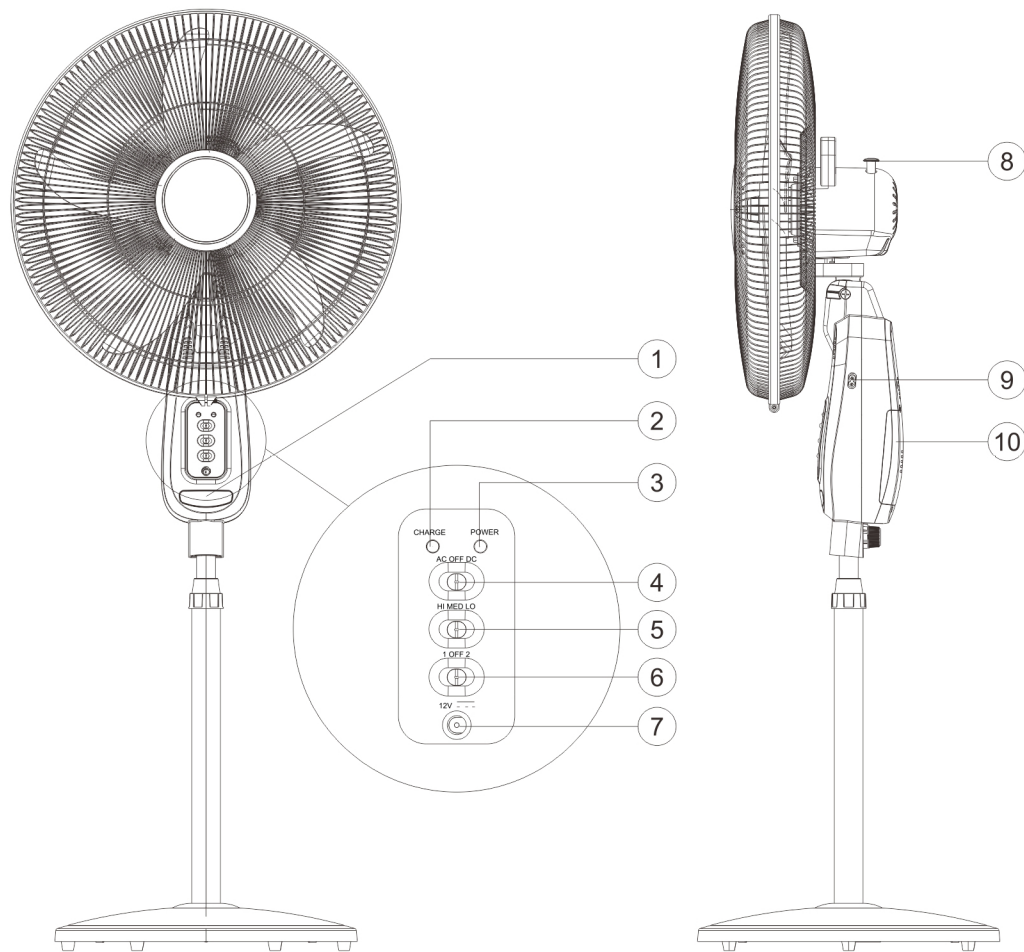
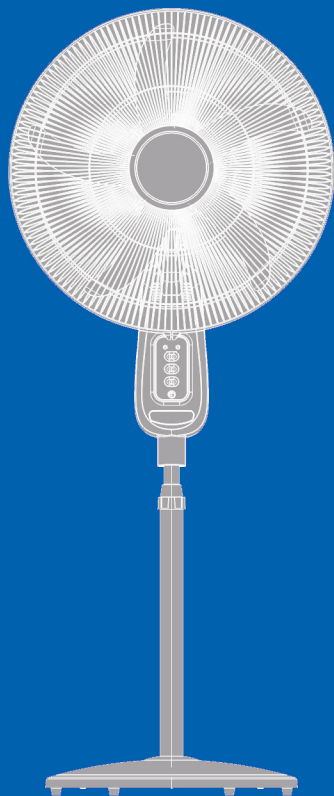
# INSTRUCTION MANUAL

**marvel<sup>®</sup>** Tech

MODEL:MF-01-18

**18"**  
**3-speed**

Multi-angle Oscillating  
Rechargeable Floor Fan



## Name of Parts

- |                        |                             |
|------------------------|-----------------------------|
| 1) Transparent Cover   | 7) DC Socket                |
| 2) Charging Indicator  | 8) Oscillation Control Lock |
| 3) Operating Indicator | 9) AC Socket                |
| 4) Fan Switch          | 10) Battery Cover           |
| 5) Speed Switch        |                             |
| 6) Lamp Switch         |                             |

## IMPORTANT NOTICE

This appliance is not intended for use by person (including children) with reduced physical, sensory or mental capabilities or lack of experience and knowledge, unless they have been given supervision or instruction concerning use of the appliance by a person responsible for their safety.

Children should be supervised to ensure that they do not play with the appliance.

"X" type supply cord: If the supply cord is damaged, it must be replaced by a special cord or assembly from the manufacturer or its service agent.

1. Fully charge the product before use. Read "HOW TO CHARGE".
2. Switch off the product during storage. Periodically charge the product at least 8 hours every three months when storage.
3. Keep out of water or rain for proper use. The perfect working temperature is between 0°C and 40°C.
4. Once the product is out of operation, do not open or repair unless the qualified person.

## HOW TO ASSEMBLE (Drawing 1)

Pls refer to picture Drawing2 to assemble the fan

1. Take out metal pole, put into the bottom, then connect bottom and balance block with metal gasket and screw
2. Put body on the metal pole, connected by bottom screw
3. Assemble rest parts in turn according to Drawing2
4. After finishing assembling, operate the fan to confirm the assembling correct

- |                  |                    |
|------------------|--------------------|
| 1) Bolt          | 8) Back Louver     |
| 2) Metal Gasket  | 9) Louver Gasket   |
| 3) Balance Block | 10) Big Nut        |
| 4) Bottom        | 11) Blade          |
| 5) Metal Pole    | 12) Left Screw Nut |
| 6) Bottom Screw  | 13) Louver Holder  |
| 7) Body          | 14) Front Louver   |

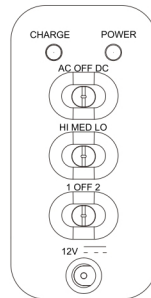
## HOW TO OPERATE FAN (Drawing 2)

The unit can be operated on either AC mains or built-in DC rechargeable battery. See the following chart for operating the functions:

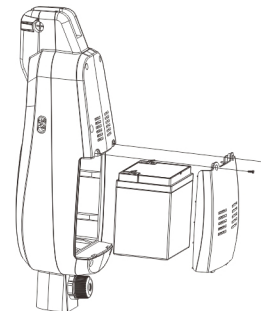
Switch Position	Plug the unit into AC mains.	Unplug the unit for using with built-in DC rechargeable battery.
Fan Switch AC	Operate any function of the unit.	Turn off the functions controlled by Switch.
Fan Switch DC	Recharge the battery, turn off the functions controlled by Switch.	Operate any function of the unit.
Fan Switch OFF	Recharge the battery, turn off the functions controlled by Switch.	Turn off the functions controlled by Switch.
Speed Switch HI	Set the Switch to AC to activate the function of Hi-speed fan.	Set the Switch to DC to activate the function of Hi-speed fan.
Speed Switch MED	Set the Switch to AC to activate the function of MED-speed fan.	Set the Switch to DC to activate the function of MED-speed fan.
Speed Switch LO	Set the Switch to AC to activate the function of Low-speed fan.	Set the Switch to DC to activate the function of Low-speed fan.
Lamp Switch	Push lamp switch to "1" or "2" to get strong light or weak light, push switch to "OFF" to chose the lamp.	

## HOW TO CHARGE

1. Make sure the power supply is consistent with the rating of product before charging.
2. Connect the power supply, the charge indicator lights up to show the product is under charging.
3. The product may become slightly warm during charging.
4. Connect DC 12V adaptor the charge indicator lights up to show the product is under charging.



Drawing 2



Drawing 3

## HOW TO REPLACE THE BATTERY (Drawing 3)

1. Shut off the power and stop all functions of the fan.
2. Loosen the screw of the cover, remove the cover, take out the old battery.
3. Replace with the new one and assemble in reverse procedures.

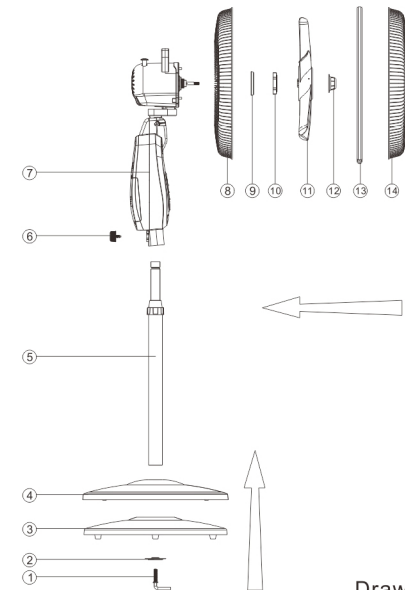
### Correct Disposal of this product



This marking indicates that this product should not be disposed with other household wastes. To prevent possible harm to the environment or human health from uncontrolled waste disposal, recycle it responsibly to promote the sustainable reuse of material resources. To return your used device, please use the return and collection systems or contact the retailer where the product was purchased.

## SPECIFICATION

1. Power source: 180-240V~50/60Hz
2. Battery: 12V4.5Ah sealed lead-acid rechargeable battery
3. light source: 12pcs Bright LED
4. Charge time: 12-15 hours
5. Duration:
  - Fan: 2 hours / high speed
  - 3 hours / medium speed
  - 4 hours / low speed
  - LED: 17 hours / strong light
  - 70 hours / weak light
6. Dimension: 51.6x40x137.17cm



Drawing 1